

Installing bulb for interior light

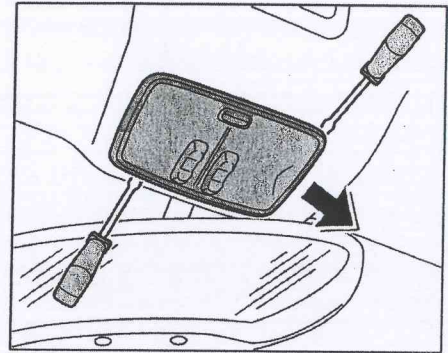
NOTICE

Incorrect handling of bulbs

- Risk of damage to bulbs and the bulb housing

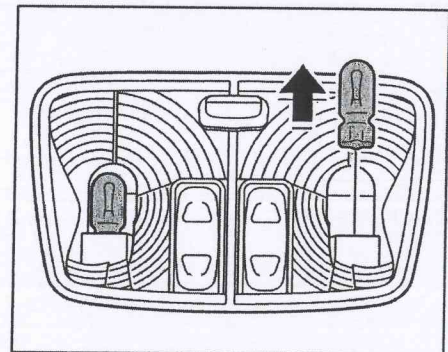
- Switch off ignition and remove ignition key.
- Switch off the relevant loads when changing bulbs.
- Only use bulbs listed in the bulb table.
- Only install clean bulbs that are free of grease.
- Always use a cloth or soft paper when working with bulbs.
- Observe the safety instructions when changing a bulb in a Bi-Xenon headlight.
- In certain states, it is compulsory to carry spare light bulbs.

1. Carefully unclip cover for the interior light top and bottom using a small screwdriver.



Unclipping cover

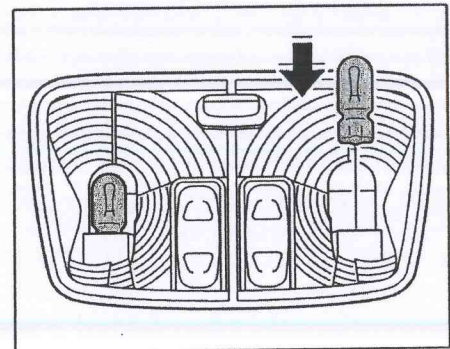
2. Remove bulb from the mounting.



Removing bulb

Installing bulb for front interior light

1. Insert new bulb into the bulb holder.



Installing cover

Use caution when installing these items, or consult a professional if you're unsure.

Installing bulb for door warning light

moving footwell light

NOTICE

Correct handling of bulbs

Risk of damage to bulbs and the bulb housing

Switch off ignition and remove ignition key.

Switch off the relevant loads when changing bulbs.

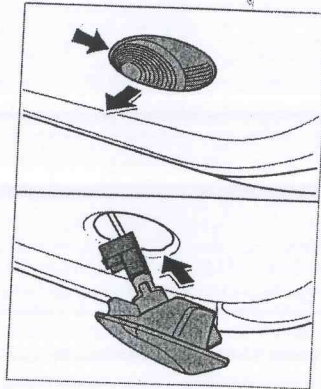
Only use bulbs listed in the bulb table.

Only install clean bulbs that are free of grease.

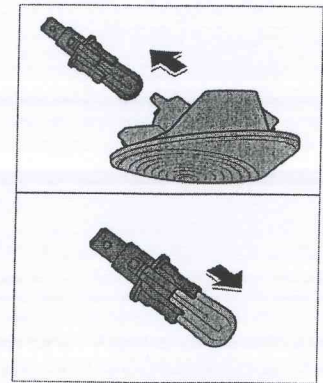
Always use a cloth or soft paper when working with bulbs.

Observe the safety instructions when changing a bulb in a Bi-Xenon headlight.

In certain states, it is compulsory to carry spare light bulbs.



Removing door warning light

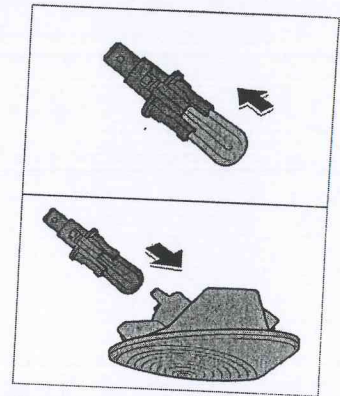


Removing bulb for door warning light

1. Push door warning light carefully out of the door trim via the cutaway **-arrow-** using a screwdriver.
2. Pull off door warning light connector and remove light.

Removing bulb for door warning light

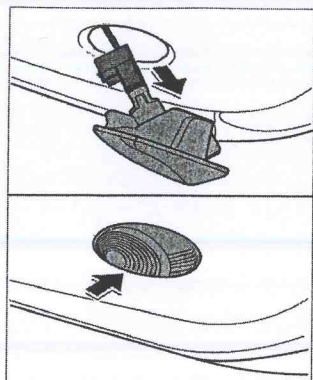
1. Remove bulb socket from the door warning light and remove bulb.



Installing bulb for door warning light

SuncoastParts.com

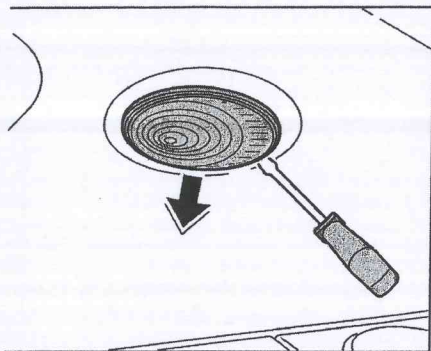
1. Insert new bulb in the bulb socket and insert the socket into the door warning light opening.



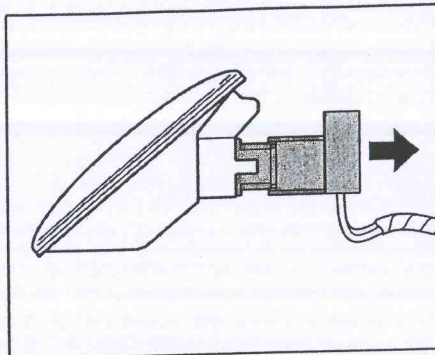
Installing door warning light

1. Push connector on to door warning light.
2. Press door warning light into door trim panel.

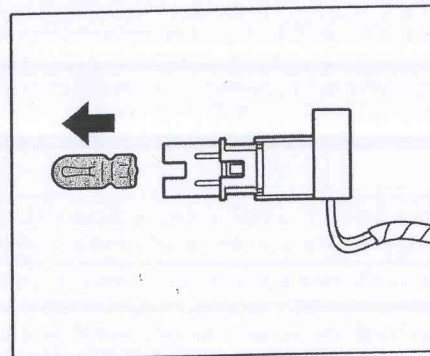
Removing bulb for rear interior light



Removing interior light



Pulling off connector on interior light



Removing bulb

1. Carefully loosen interior light with a small screwdriver and pull out of the trim panel.
2. Pull off connector from the interior light.
3. Remove bulb from holder.

NOTICE

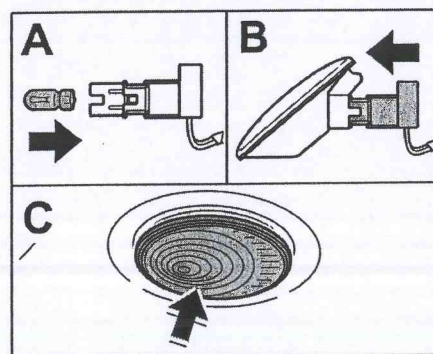
Incorrect handling of bulbs

- Risk of damage to bulbs and the bulb housing
- Switch off ignition and remove ignition key.
 - Switch off the relevant loads when changing bulbs.
 - Only use bulbs listed in the bulb table.
 - Only install clean bulbs that are free of grease.
 - Always use a cloth or soft paper when working with bulbs.
 - Observe the safety instructions when changing a bulb in a Bi-Xenon headlight.
 - In certain states, it is compulsory to carry spare light bulbs.

Installing bulb for rear interior light

1. Insert new bulb into the bulb holder.

SuncoastParts.com



Clipping light into the trim panel

2. Insert bulb holder into the light and clip light into the trim panel.

Use caution when installing these items, or consult a professional if you're unsure.

WM 961519 Removing and installing footwell light

Removing footwell light

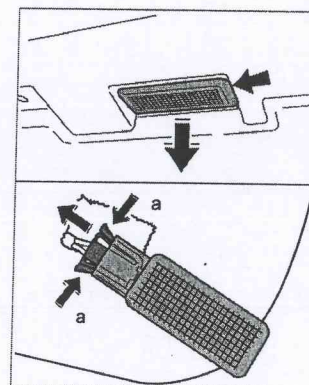
Removing glove compartment light

NOTICE

Incorrect handling of bulbs

- Risk of damage to bulbs and the bulb housing
- Switch off ignition and remove ignition key.
- Switch off the relevant loads when changing bulbs.
- Only use bulbs listed in the bulb table.
- Only install clean bulbs that are free of grease.
- Always use a cloth or soft paper when working with bulbs.
- Observe the safety instructions when changing a bulb in a Bi-Xenon headlight.
- In certain states, it is compulsory to carry spare light bulbs.

1. Carefully Press footwell light out of the trim panel at the cut-out **-arrow-** using a screwdriver.

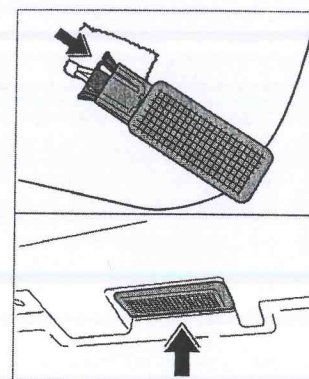


Removing footwell light

2. Release connector on footwell light **-arrows a-** and pull it off.
3. Remove footwell light.

Installing footwell light

1. Push plug on to footwell light until the plug is felt to engage.



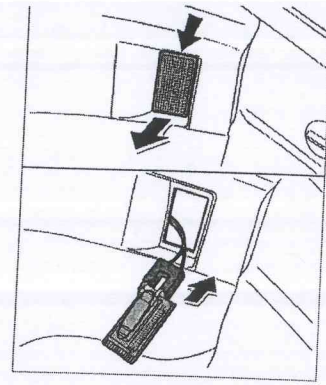
Installing footwell light

2. Press footwell light into trim panel.

Installing luggage compartment light

Removing bulb for light

1. Remove bulb from between the contact springs.

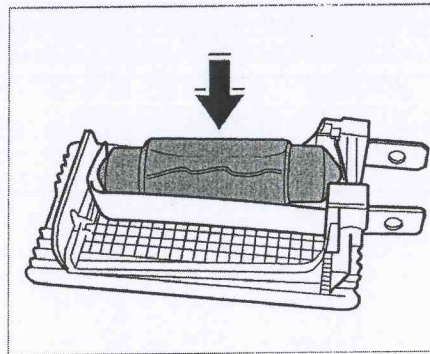


Removing luggage compartment light

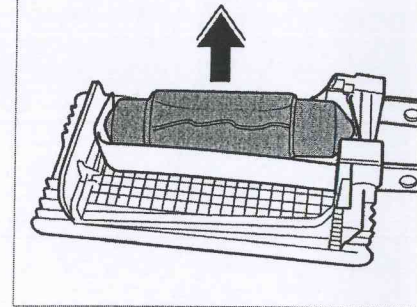
1. Press luggage compartment light carefully out of the luggage compartment trim at the cutout -arrow- using a screwdriver.
2. Pull off plug on luggage compartment light and remove luggage compartment light.

Installing bulb for light

1. Insert new bulb into the contact springs.

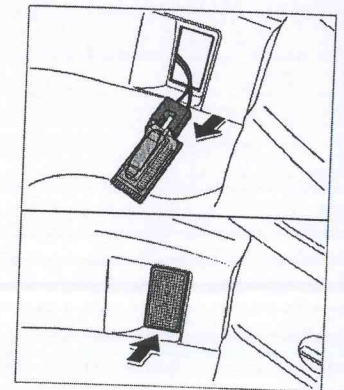


Installing bulb for light



Removing bulb for light

1. Attach plug on luggage compartment light.
2. Insert light into opening and clip it into the trim panel. Check that light is fitted securely.



Installing luggage compartment light

SuncoastParts.com

NOTICE

Incorrect handling of bulbs

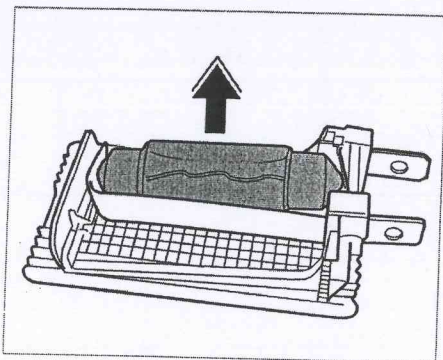
- Risk of damage to bulbs and the bulb housing
- Switch off ignition and remove ignition key.
- Switch off the relevant loads when changing bulbs.
- Only use bulbs listed in the bulb table.
- Only install clean bulbs that are free of grease.
- Always use a cloth or soft paper when working with bulbs.
- Observe the safety instructions when changing a bulb in a Bi-Xenon headlight.
- In certain states, it is compulsory to carry spare light bulbs.

WM 964019 Removing and installing luggage compartment light in rear lid

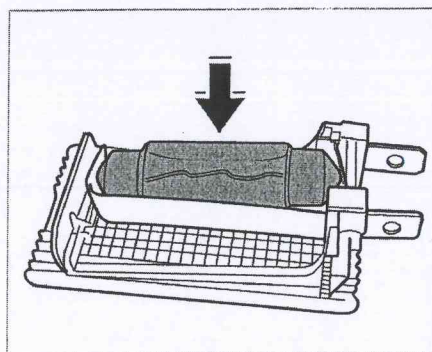
Removing luggage compartment light in rear lid

Removing luggage compartment light in rear lid

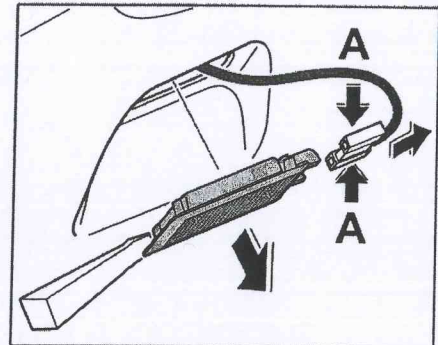
1. Switch off ignition and remove ignition key.
2. Use a plastic spatula or screwdriver to prise out the light in the trim panel of the rear lid.



Removing bulb for light



Installing bulb for light



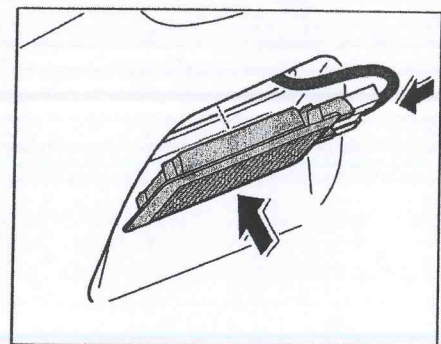
Unclipping light

SuncoastParts.com

Installing luggage compartment light in rear lid

Installing luggage compartment light in rear lid

1. Push in plug until it is felt to engage.



NOTICE

correct handling of bulbs

- Risk of damage to bulbs and the bulb housing

- Switch off ignition and remove ignition key.
- Switch off the relevant loads when changing bulbs.
- Only use bulbs listed in the bulb table.
- Only install clean bulbs that are free of grease.
- Always use a cloth or soft paper when working with bulbs.
- Observe the safety instructions when changing a bulb in a Bi-Xenon headlight.
- In certain states, it is compulsory to carry spare light bulbs.