

681719 Removing and installing centre console

Preliminary work

Preliminary work

Remove shelf. ⇒ '681619 Removing and installing oddments tray - chapter on "removing"

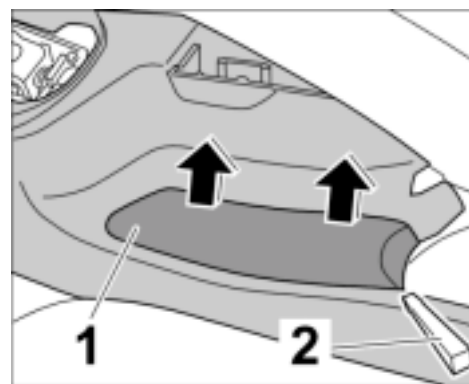
Removing centre console

Removing cover for parking-brake lever



Installation position for centre console

1. Pull parking-brake lever.



Removing cover for parking-brake lever

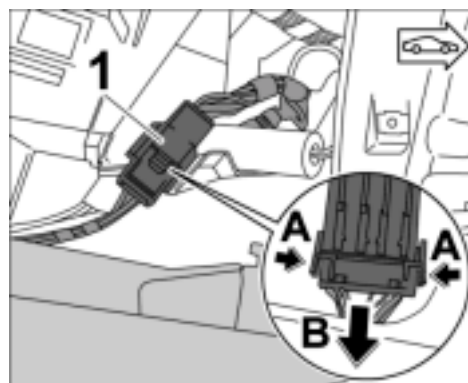
2. Unclip cover for parking-brake lever **-1-** using a plastic wedge **-2-**.

Disconnecting wire harness plug connection for centre console



Installation position for centre console

1. Release wire harness electric plug connection for centre console -1- on right and left -arrows A- and pull apart -arrow B-.



Disconnecting plug connection

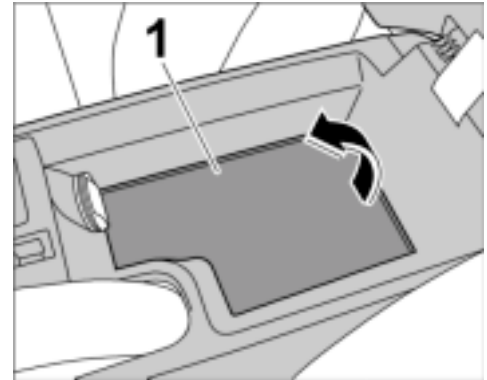
Removing centre console



Installation position for centre console

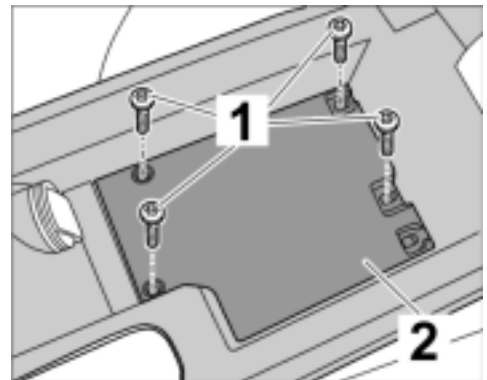
1. Open lid of oddments tray.

2. Remove insert at rear of centre console -1-.



Removing centre console insert

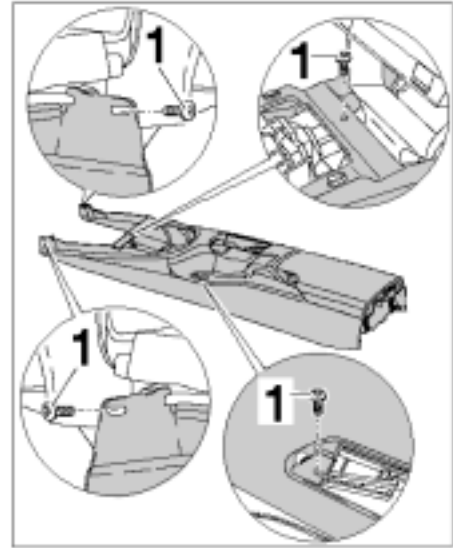
3. Unscrew fastening screws -1- and remove floor at rear of centre console -2-.



Removing floor at rear of centre console

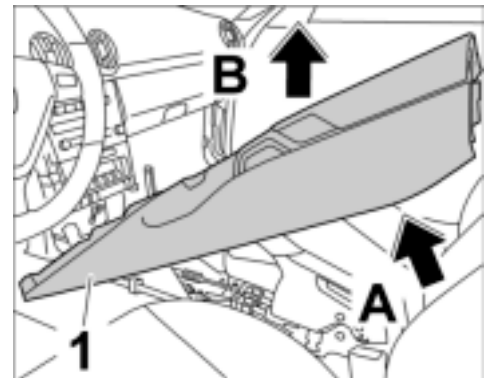
4. Close lid of oddments tray.

5. Undo fastening screws -1-.



Releasing centre console

6. Swivel centre console -1- upward -arrow A- and remove -arrow B-.



Removing centre console

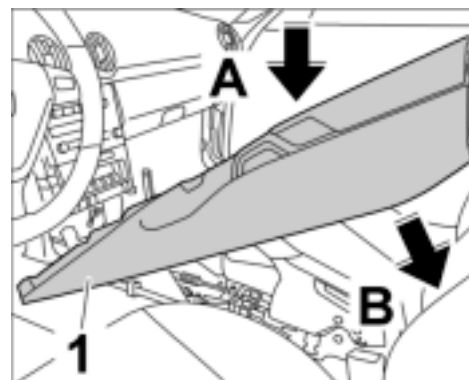
Installing centre console

Installing centre console



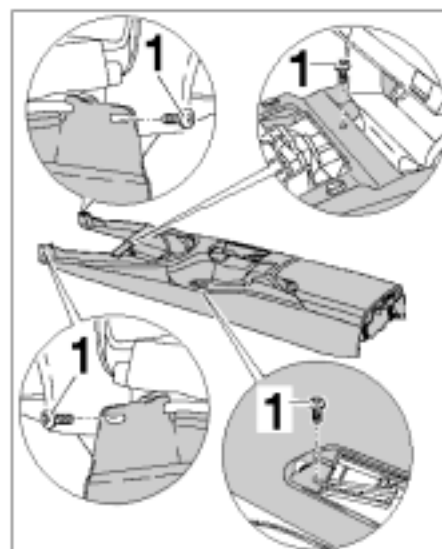
Installation position for centre console

1. Position and align the centre console -1-



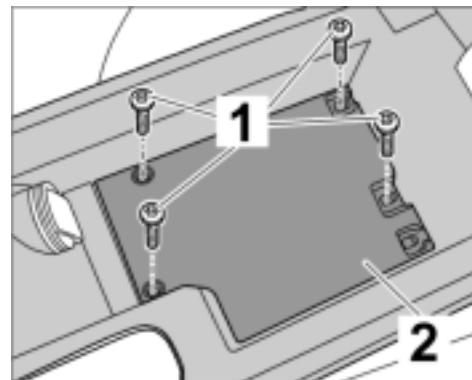
Installing centre console

2. Tighten fastening screws -1-



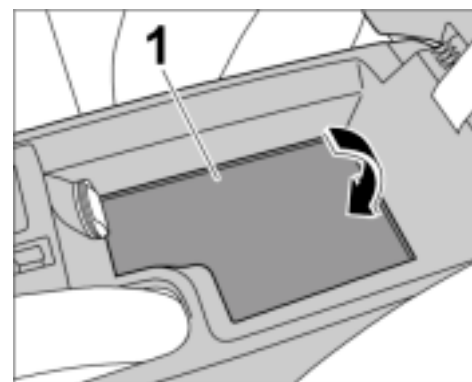
Fastening centre console

3. Open lid of oddments tray.
4. Insert floor at rear of centre console **-2-** and screw down with fastening screw **-1-**.



Installing floor at rear of centre console

5. Position insert at rear of centre console **-1-** and close lid of oddments tray.



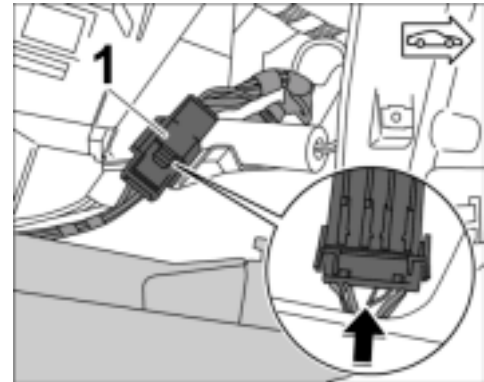
Installing insert of centre console

Locking wire harness plug connection for centre console



Installation position for centre console

1. Push together electric plug connection of wire harness for centre console -1- until it audibly engages.



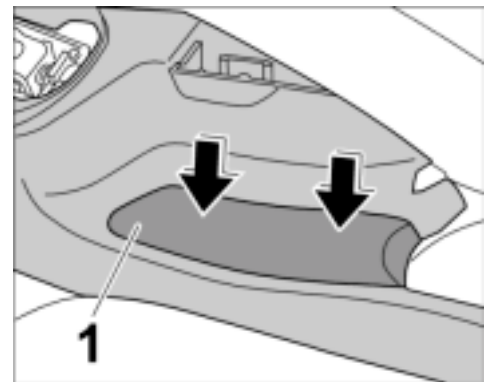
Locking plug connection

Installing cover for parking-brake lever



Installation position for centre console

1. Press in cover of parking-brake lever -1- until it engages.



Installing cover for parking-brake lever

Subsequent work

Subsequent work

Install shelf. ⇒ '681619 Removing and installing oddments tray - chapter on "Installing" '