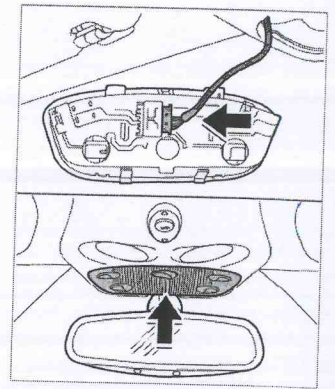
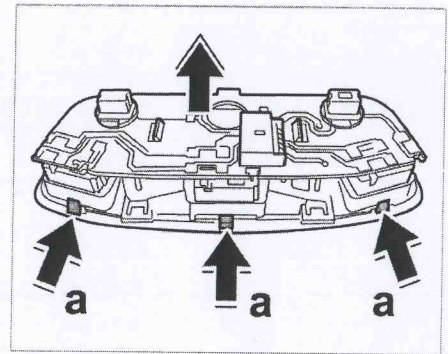


WM 962219 Removing and installing bulb for interior light

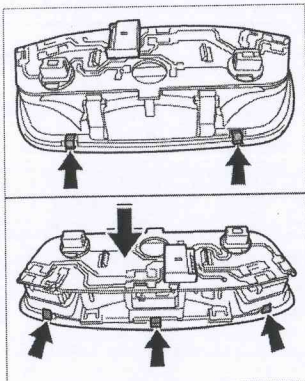
Removing bulb for interior light



1. Carefully release lens at the three locking lugs on the interior light -arrow a- and remove interior light.

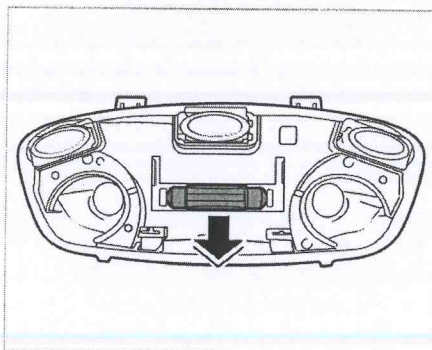


Removing lens for interior light

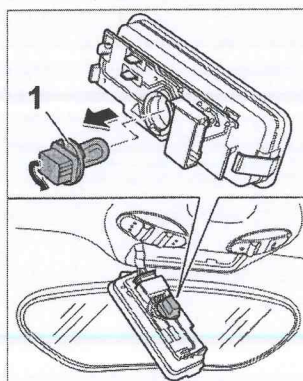


Installing lens for interior light

SuncoastParts.com



Removing bulb for interior light



Removing bulb

NOTICE

Incorrect handling of bulbs

- Risk of damage to bulbs and the bulb housing

- Switch off ignition and remove ignition key.
- Switch off the relevant loads when changing bulbs.
- Only use bulbs listed in the bulb table.
- Only install clean bulbs that are free of grease.
- Always use a cloth or soft paper when working with bulbs.
- Observe the safety instructions when changing a bulb in a Bi-Xenon headlight.
- In certain states, it is compulsory to carry spare light bulbs.

Installing bulb for door warning light

moving footwell light

NOTICE

Correct handling of bulbs

Risk of damage to bulbs and the bulb housing

Switch off ignition and remove ignition key.

Switch off the relevant loads when changing bulbs.

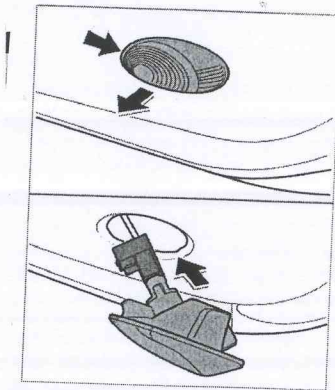
Only use bulbs listed in the bulb table.

Only install clean bulbs that are free of grease.

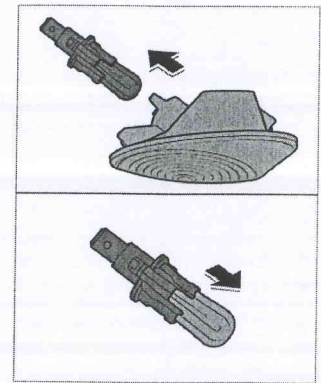
Always use a cloth or soft paper when working with bulbs.

Observe the safety instructions when changing a bulb in a Bi-Xenon headlight.

In certain states, it is compulsory to carry spare light bulbs.



Removing door warning light

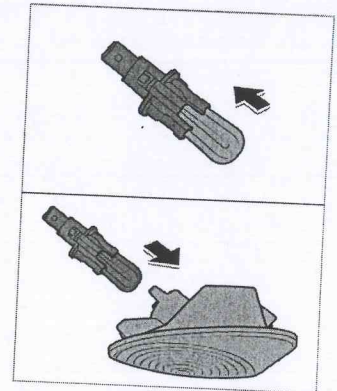


Removing bulb for door warning light

1. Push door warning light carefully out of the door trim via the cutaway **-arrow-** using a screwdriver.
2. Pull off door warning light connector and remove light.

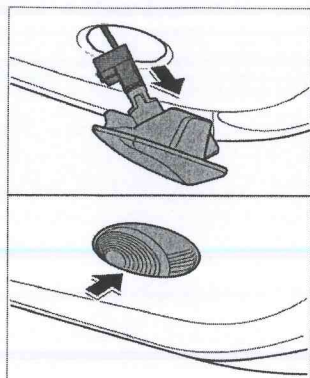
Removing bulb for door warning light

1. Remove bulb socket from the door warning light and remove bulb.



Installing bulb for door warning light

1. Insert new bulb in the bulb socket and insert the socket into the door warning light opening.



Installing door warning light

1. Push connector on to door warning light.
2. Press door warning light into door trim panel.

WM 961519 Removing and installing footwell light

Removing footwell light

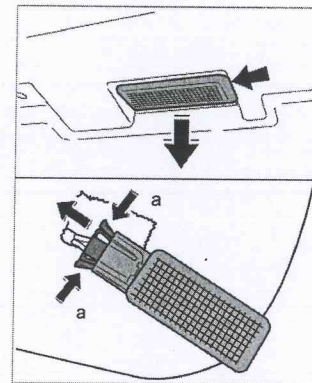
Removing glove compartment light

NOTICE

Incorrect handling of bulbs

- Risk of damage to bulbs and the bulb housing
- Switch off ignition and remove ignition key.
 - Switch off the relevant loads when changing bulbs.
 - Only use bulbs listed in the bulb table.
 - Only install clean bulbs that are free of grease.
 - Always use a cloth or soft paper when working with bulbs.
 - Observe the safety instructions when changing a bulb in a Bi-Xenon headlight.
 - In certain states, it is compulsory to carry spare light bulbs.

1. Carefully Press footwell light out of the trim panel at the cut-out **-arrow-** using a screwdriver.



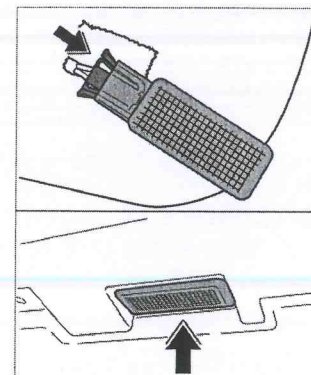
Removing footwell light

2. Release connector on footwell light **-arrows a-** and pull it off.

3. Remove footwell light.

Installing footwell light

1. Push plug on to footwell light until the plug is felt to engage.



Installing footwell light

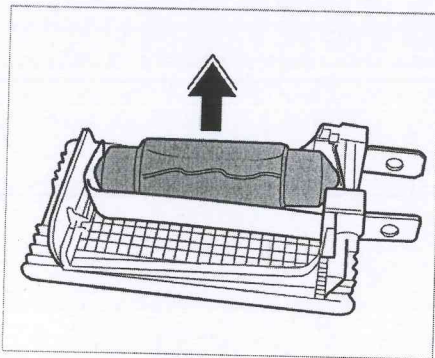
2. Press footwell light into trim panel.

WM 964019 Removing and installing luggage compartment light in rear lid

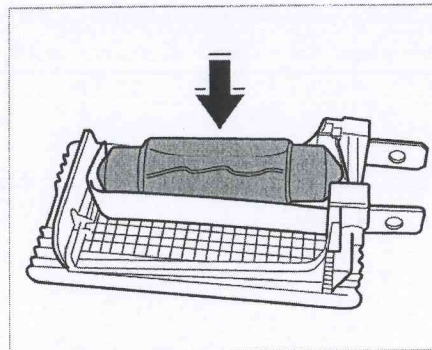
Removing luggage compartment light in rear lid

Removing luggage compartment light in rear lid

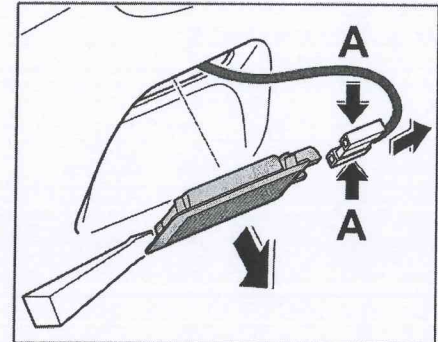
1. Switch off ignition and remove ignition key.
2. Use a plastic spatula or screwdriver to prise out the light in the trim panel of the rear lid.



Removing bulb for light



Installing bulb for light

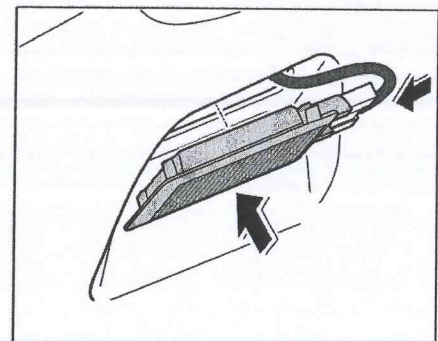


Unclipping light

Installing luggage compartment light in rear lid

Installing luggage compartment light in rear lid

1. Push in plug until it is felt to engage.



NOTICE

Incorrect handling of bulbs

- Risk of damage to bulbs and the bulb housing

- Switch off ignition and remove ignition key.
- Switch off the relevant loads when changing bulbs.
- Only use bulbs listed in the bulb table.
- Only install clean bulbs that are free of grease.
- Always use a cloth or soft paper when working with bulbs.
- Observe the safety instructions when changing a bulb in a Bi-Xenon headlight.
- In certain states, it is compulsory to carry spare light bulbs.